

IDEA

TECHNOLOGY CORPORATION JSC



MACHINE MANUFACTURING



Lot 100, Linh Trung 1 EPZ, Linh Trung Ward,
Thu Duc City, HCMC, Vietnam



+84 28 7301 3779



info@ideagroupvn.com



www.ideagroupvn.com

MACHINE MANUFACTURING AND OEM

ABOUT US

We are the leading of machine manufacturer in Vietnam with 250 employees and 13 years of experience. We have a strong track record of producing high-quality machines for American and Japanese companies, and we have extensive manufacturing experience in various types of machines, including packaging machines and product inspection machines.

We are committed to providing our customers with the best possible service, and we offer a number of advantages that make us a great choice for manufacturing machines in Vietnam. These advantages include: Competitive, Favorable business environment, Extensive manufacturing experience.

CAPABILITIES OF IDEA GROUP



13 years of experience



5 branches



Over 225 clients



250 employees



Capacity 150 machines/ year

CAPABILITIES OF OUR JOINT VENTURE PARTNERS



11 years of experience



3 branches



Over 35 clients

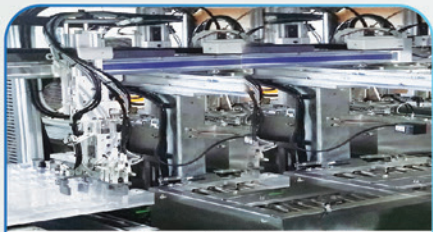


165 employees

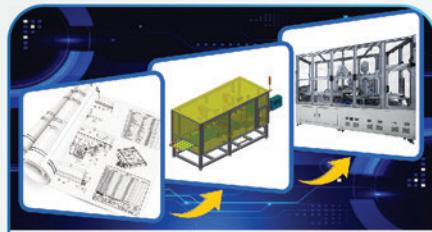


Capacity 220 machines/ year

SERVICES



Manufacturing machines according to client's drawings



Designing and manufacturing machines according to client's needs



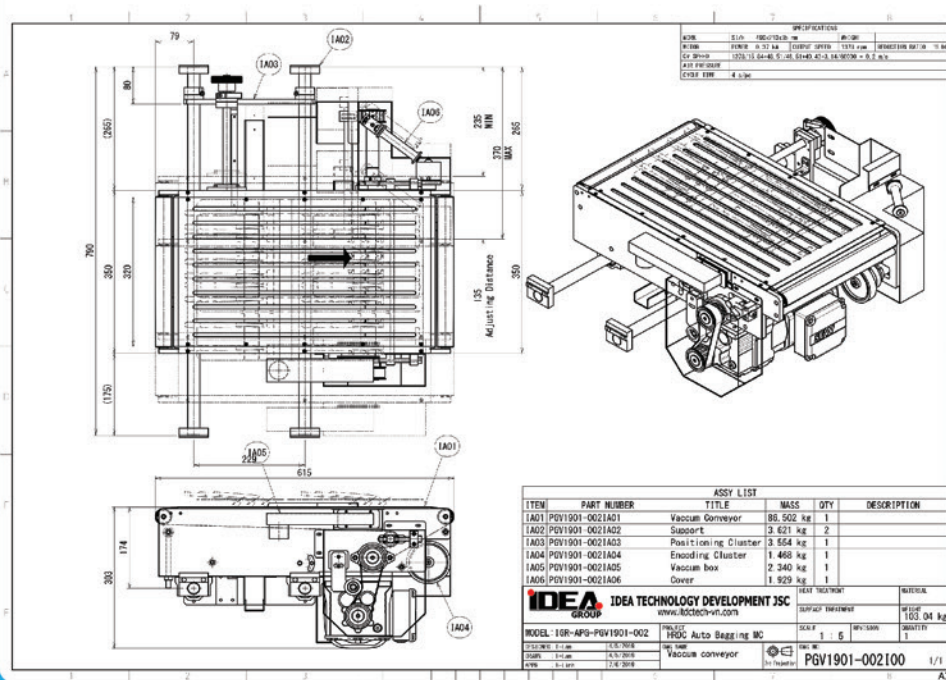
Accepting production of machinery based on custom orders (OEM)



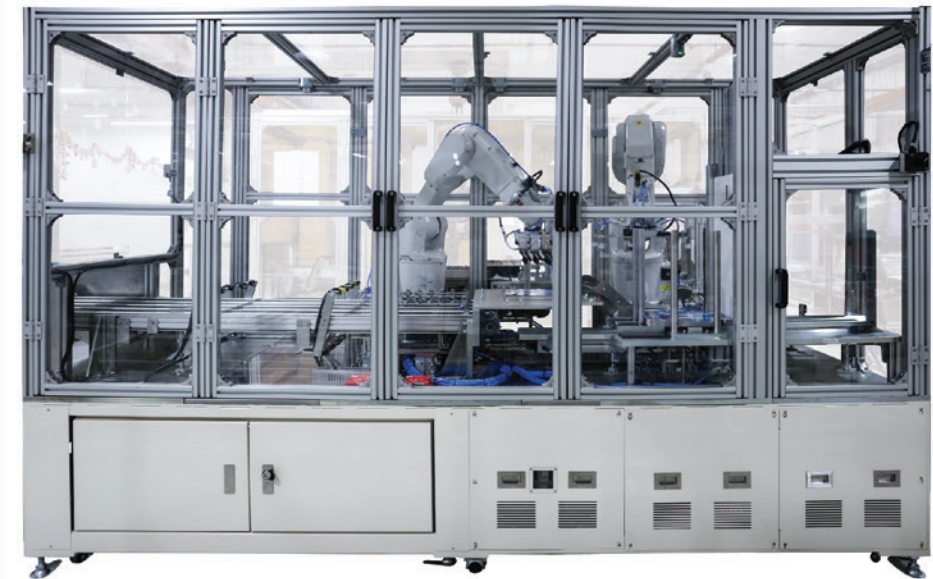
Manufacturing and providing Agv, robot solutions

SORTING MACHINE

Client's machine drawings



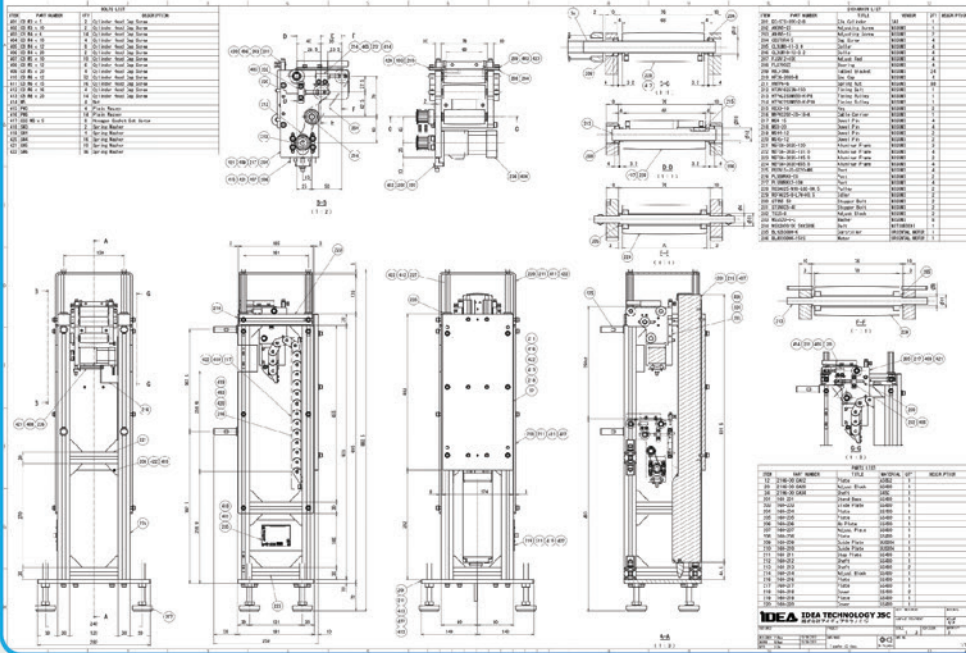
Manufactured machine



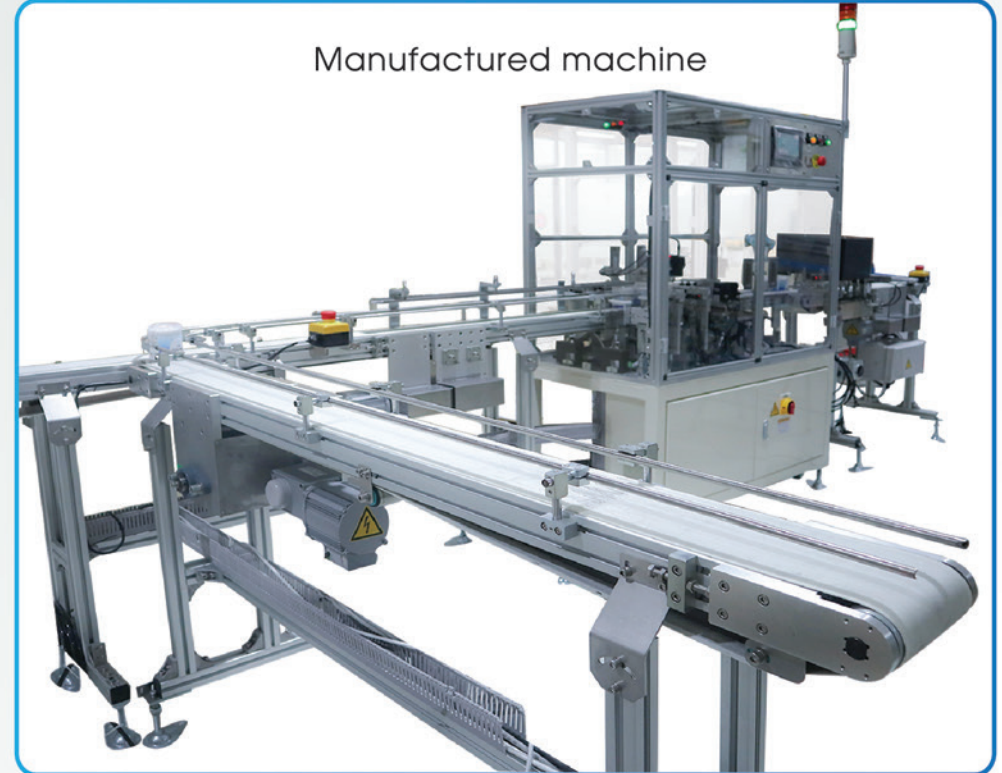
- The function of machine: To sort items based on their size, shape, color, or other specifications.
- Size: 2500 mm x 1300 mm
- The maximum quantity that can be produced: 25 machines/ 3 months
- Origin of production: Vietnam
- Industrial applications: food and beverage, recycling, logistics, etc

SHRINK FILM & CARTON PACKAGING MACHINE

Client's machine drawings

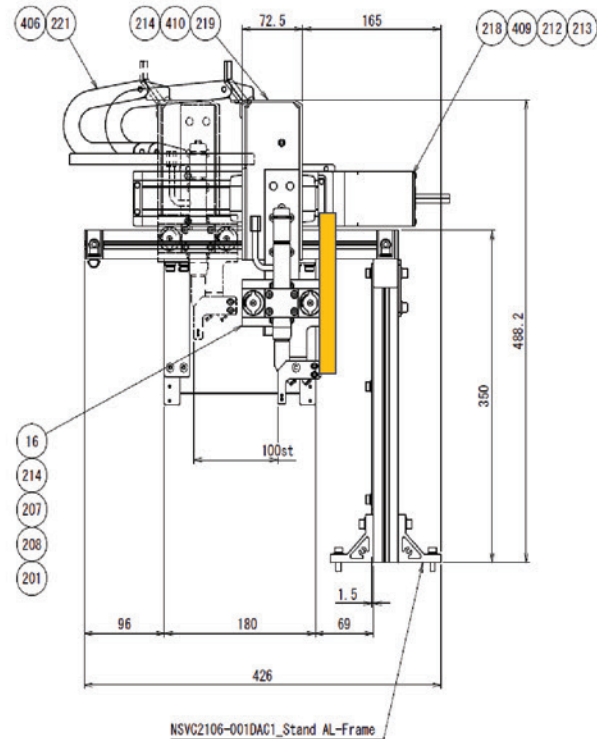


Manufactured machine



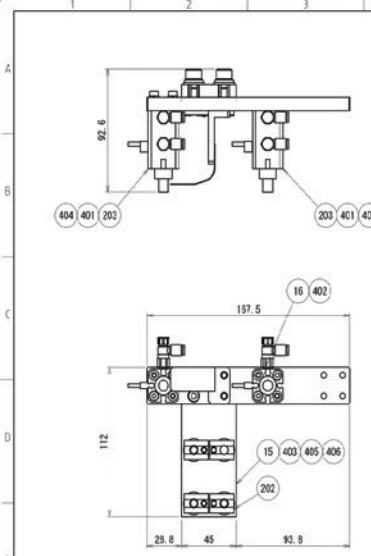
- The function of machine: To pack products in shrink film and pack into cartons.
- Size: 5000 mm x 2500 mm
- The maximum quantity that can be produced: 15 machines/ 3 months
- Origin of production: Vietnam
- Industrial applications: Food and beverage, retail, logistics, etc

ASSEMBLY MACHINE



- The function of machine: To assemble products from individual parts.
- Size: 2000 mm x 1500 mm
- The maximum quantity that can be produced: 50 machines/ 3 months
- Origin of production: Vietnam
- Industrial applications: Automotive, electronics, pharmaceuticals, food and beverage, etc

INSPECTION MACHINE



SHIPMENT LIST				
ITEM	PART NUMBER	TITLE	VENDOR	QTY DESCRIPTION
201	AS1201F-M5-04A	Speed Controller	SMC	4
202	MTPB-6	Spring Nut	WISUMI	4
203	RSQB12-100-M9HVALS	Stopper Cylinder	SMC	2

BOLTS LIST			
ITEM	PART NUMBER	QTY	DESCRIPTION
401	CB M4 x 20	4	Cylinder Head Cap Screw
402	CB M5 x 12	4	Cylinder Head Cap Screw
403	CB M8 x 25	4	Cylinder Head Cap Screw
404	SW4	4	Spring Washer
405	SW6	4	Spring Washer
406	W8	4	Plain Washer

PARTS LIST			
ITEM	PART NUMBER	TITLE	MATERIAL QTY DESCRIPTION
15	2:06-001CA15	Cylinder Plate	SS400 1
16	2:06-001CA16	Cylinder Plate	SS400 1

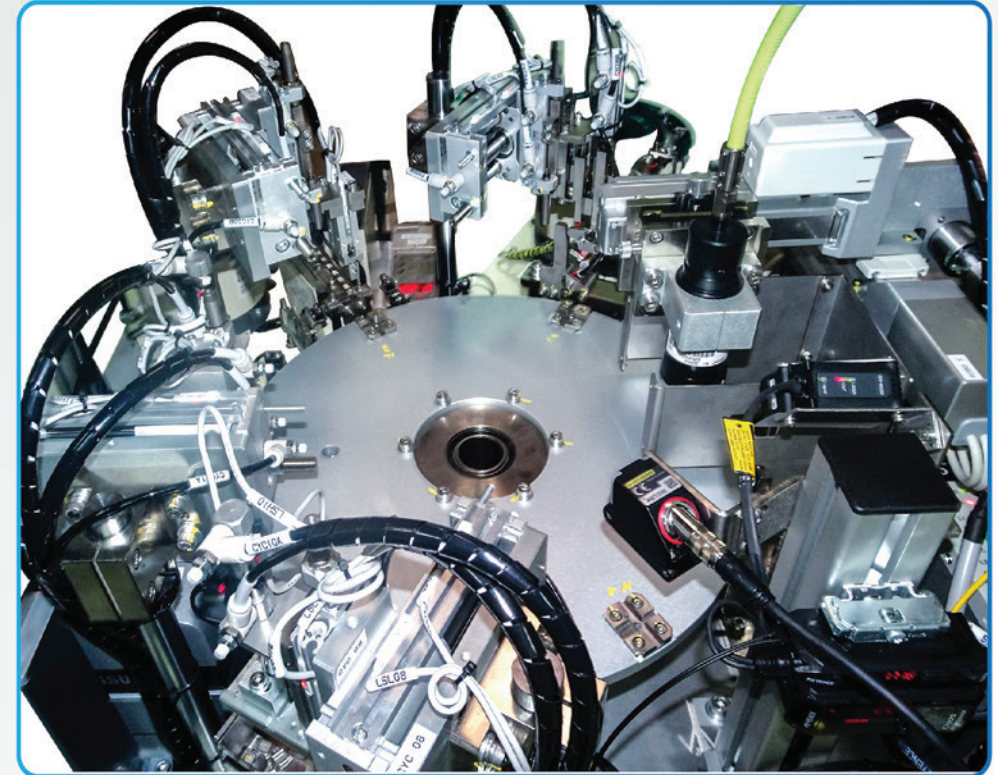
IDEA TECHNOLOGY JSC
株式会社アイデアテクノロジー

HEAT TREATMENT: N/A
SURFACE TREATMENT: N/A

SCALE: 1:2 REVISION: 2 QUANTITY: 1/1

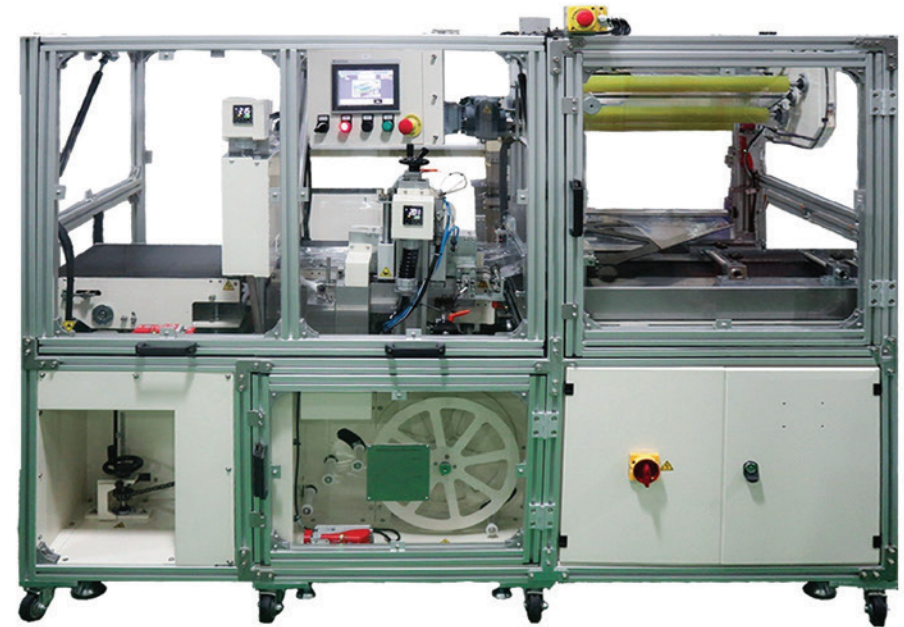
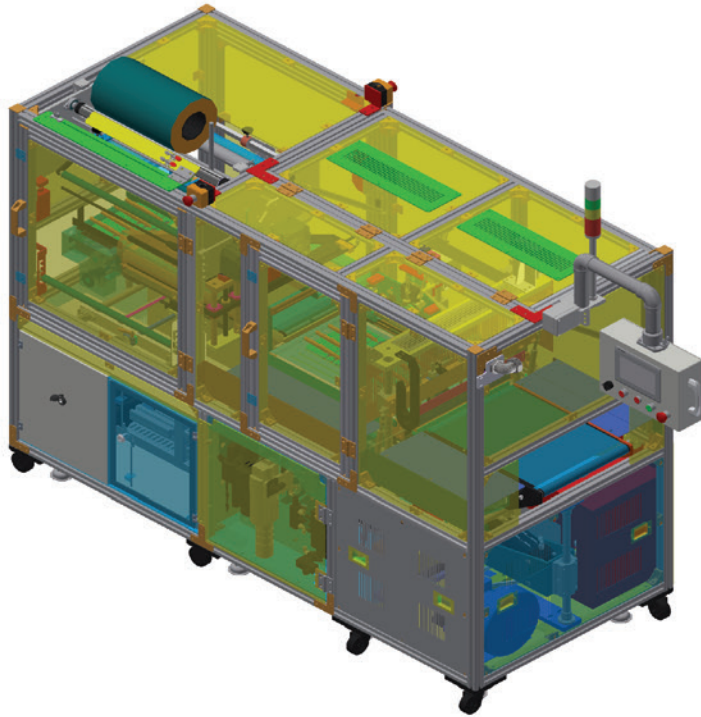
DATE: 11/17/2020
DRAWN: P. Nam
CHECKED: P. Nam
APPV: T. Du

DESIGNER: P. Nam
DATE: 11/17/2020
PROJECT: Stopper Assy



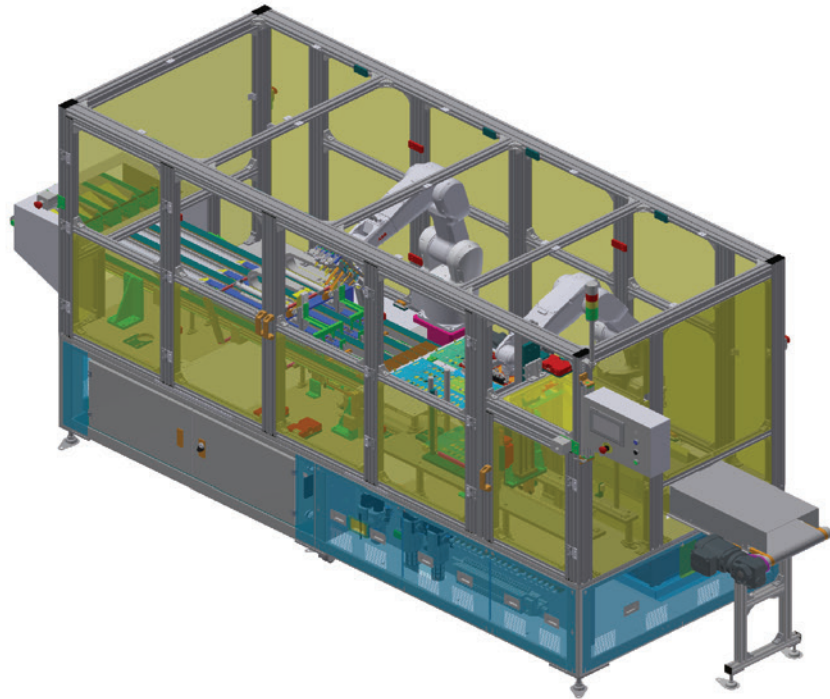
- The function of machine: To inspect malfunction products.
- Size: 2000 mm x 1500 mm
- The maximum quantity that can be produced : 15 machines/ 3 months
- Origin of production: Vietnam
- Industrial applications: Food and beverage, pharmaceuticals, etc

LABELING MACHINE



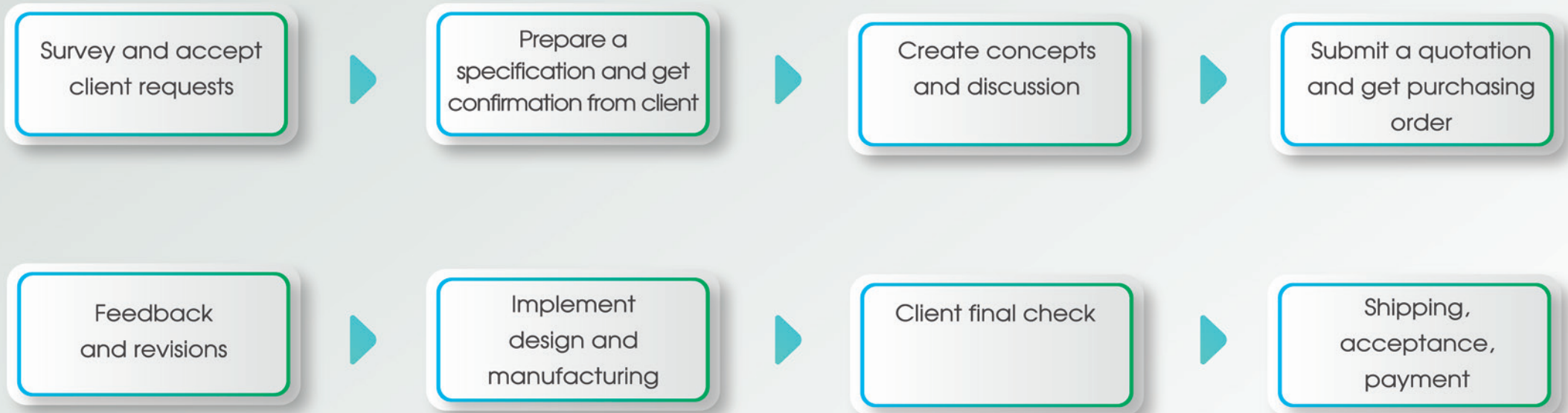
- The function of machine: To apply labels to products
- Size: Depending on model
- The maximum quantity that can be produced : 25 machines/ 3 months
- Origin of production: Vietnam
- Industrial applications: Food, beverages, electronics, etc

CARTONING MACHINE



- The function of machine: To pack products into cartons.
- Size: Depending on model
- The maximum quantity that can be produced : 10 machines/month
- Origin of production: Vietnam
- Industrial applications: Food, beverages, electronics, etc

WORKFLOW



* We also offer manufacturing service from your design

OUR CLIENTS



UNITED STATES



JAPAN



EU



KOREA



IMAGES OF FACTORY



We are serving valued customers worldwide

With our commitment to manufacturing excellence, we have established ourselves as a trusted partner for businesses reliable and high quality machine design and manufacturing solutions



Global network:

Vietnam Factory
Lot 100, Linh Trung 1 EPZ, Linh Trung
Ward, Thu Duc City, HCMC, Vietnam

Japan Office
38-2 Shichi Jogosho No Uchinishimachi,
Shimogyo-Ku, Kyoto, 600-8865 Japan

U.S Office
9999 Bellaire Blvd Ste 8B-1 Houston,
TX 77036, USA

 +84 28 7301 3779

 info@ideagroupvn.com

 www.ideagroupvn.com

More information:

